

# **327 Series Printer**

## **User Manual**

## Catalogue

|   |           |
|---|-----------|
| <b>I. PRODUCT INTRODUCTION</b> .....                              | <b>2</b>  |
| 1.1 Warnings:.....  | 2         |
| 1.2 Notice .....  | 2         |
| <b>II. SUMMARY</b> .....  | <b>3</b>  |
| Main Features .....   | 3         |
| <b>III. SPECIFICATION</b> .....                                   | <b>3</b>  |
| <b>IV. INSTALLATION AND OPERATION</b> .....                       | <b>5</b>  |
| 4.1 Contents in the package .....                                 | 5         |
| 4.2 Printer Connection.....                                       | 6         |
| 4.3 Load the Paper Roll .....                                     | 7         |
| <b>V. Power Switch, Keystroke and Indicator Light</b> .....       | <b>8</b>  |
| 5.1 Power Switch.....   | 8         |
| 5.2 Keystroke and Indicator Light .....                           | 8         |
| 5.3 Self-checking .....   | 9         |
| <b>VI. Cash Drawer Interface</b> .....                            | <b>10</b> |
| <b>VII. Printer Maintenance</b> .....                             | <b>10</b> |
| 7.1 Print Head Maintenance .....                                  | 10        |
| 7.2 Sensor Maintenance.....                                       | 11        |
| 7.3 Print Roll Maintenance .....                                  | 11        |
| <b>VIII. Fix the Paper Jam</b> .....                              | <b>12</b> |
| <b>IX. Fault treatment</b> .....                                  | <b>12</b> |
| 9.1 When indicators light on the control board is out.....        | 13        |
| 9.2 The indicator light is on, while the printer can't work ..... | 13        |
| <b>X. Printer driver</b> .....                                    | <b>13</b> |

## I. PRODUCT INTRODUCTION

327 series printer is a POS direct thermal receipt printer with easy operation and high cost effective, which is widely used in supermarket, hospital, restaurant, bank, oil station, turnpike etc.

### Safety Notice

Please read carefully and strict compliance with use of following instructions before operating the printer.

#### 1.1 Warnings:

**Warning:** Do not touch the cutter of printer.

**Warning:** The print head is heating component; do not touch it and its peripheral parts during the printing process or the print just ended.

**Warning:** Do not touch the surface of the print head and its connecting parts to avoid damage it.

#### 1.2 Notice

- (1) The printer should be installed at a firm place and avoid it in vibration and shake.
- (2) Do not use or store the printer in the location of high temperature, humidity or heavy pollution.
- (3) The power adapter of printer should be connected to a properly grounded receptacle. Avoid using the same socket with other large electronic machines or the equipment which could cause the voltage fluctuation.
- (4) Do not let water or conductive material like metal get inside the printer, if it happens, please turn off the power supply immediately.
- (5) Printer could not be worked when there is no paper; otherwise it would seriously damage the print roll and the thermal print head.
- (6) Please disconnect the power supply if do not use the printer for a long time.
- (7) The user should not dismantle the printer by self for repairing or remolding.
- (8) Use only the standard power adapter supplied together with the printer.

- (9) In order to ensure the printing quality and extend the life of printer, please use the recommendatory thermal paper or the one which has the same quality.
- (10) Please make sure the power of printer is off when plugging the connecting line.
- (11) Please keep the user manual for reference when needed.

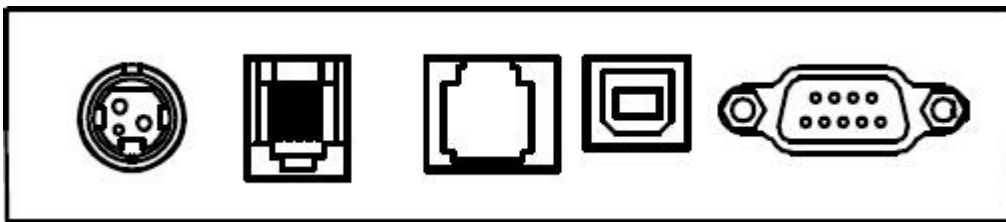
## II. SUMMARY

### Main Features

- High print quality
- Low noise
- Supports cash drawer driver
- Exquisite and lightweight, Pretty outside design
- Reasonable structure, easy using
- The font could be magnified, bolded or underlined, and also the character line spacing and left and right spacing can be adjusted before printing.
- Supports the print of different density bitmap and download figure.
- To realize and call built-in and cartridge font high speed printing in driver printing(dot printing).
- Low power consumption and operation cost (No need ribbon or ink box)
- Emulation: ESC/POS

## III. SPECIFICATION

- Printing Method: Direct thermal printing
- Paper Width: 79.5±0.5mm
- Effective Printing Width: 72mm
- Printing Speed: 250mm/s
- Print head performance  
Resolution: 512 dots/line or 576 dots/line  
TPH: 100KM
- Interface:



**Power Supply    Cash Drawer    Ethernet    USB    Serial**

**Cash Drawer Control:** 6 lines RJ-11 socket, output: DC24V/1A

### ● **Character**

ASCII code character set: 12×24 dots, 1.25 (W) ×3.00 (H) mm

Chinese character: 24×24 dots, 3.00 (W) ×3.00 (H) mm

International Code page: 10 types of international language--- PC437、Katakana、PC850、PC860、PC863、PC865、WPC1252、PC866、PC852、PC858 and so on.

Printing Barcode: Supports 9 types of barcode printing, UPC-A、UPC-E、EAN(JAN)13、EAN(JAN)8、CODE39、CODABAR、ITF、CODE93、CODE128 and so on.

### ● **Printing paper:**

Paper Type: Thermal paper

Recommendatory thermal paper:

Item #: AF50KS-E Manufacturer: Jujo Thermal Oy(Finland)

Item #: TF-50KS-E Manufacturer: Nippon Paper Industries Co., Ltd

### **Note**

- (1) Suggest to using the recommendatory thermal paper or the one which has the same quality, otherwise, it would affect the printing result; even though, will shorten the life of thermal head.
- (2) Don't use the paper roll which the end of paper is pasted at the axis core, it would cause the damage to the printer.
- (3) If the thermal paper is polluted by the chemical or oil, it would fading or decreases the feeling of heat and influence the print result finally.
- (4) It would result the fading of thermal paper if to use the hard material to chafe the surface.

(5) Please pay attention to the temperature, humidity and illumination of the storage for thermal paper. The paper would fade if the storage temperature is over 70 centigrade.

● (MCBFM) Mechanical reliability:  $6 \times 10^6$  lines

● Emulation: ESC/POS

Print Font: Support ANK. The font could be magnified, bolded or underlined and the user also could adjust the character spacing before printing.

Print Dot/Map: Supports the printing of different dots and graphic

● Power Adapter

Adapter Input: AC 110V/220V, 50~60Hz

Adapter Output: DC 24V/2A

Printer Input: DC 24V/2A

● Net Weight: About 1050g (exclude the paper roll)

● Dimension:

195(L) × 145(W) × 147(H) mm

● Environmental Adaption

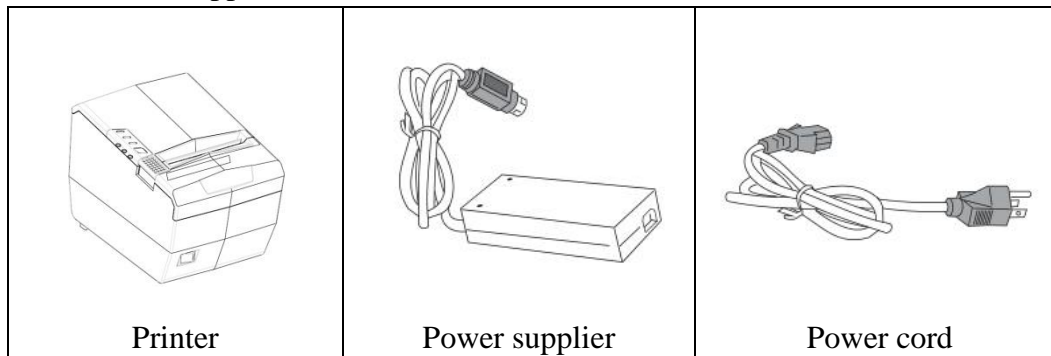
Operation Temperature: 0~50 °C      Operation Humidity: 10~80%

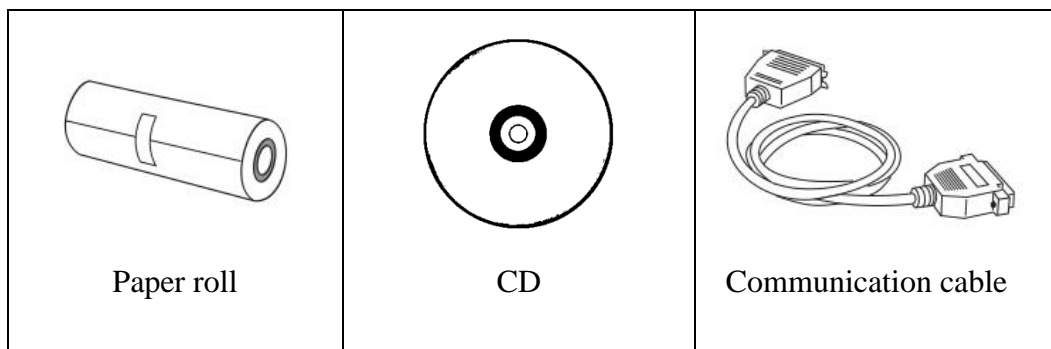
Storage Temperature: -10~60 °C      Storage Humidity: 10~90%

## IV. INSTALLATION AND OPERATION

### 4.1 Contents in the package

Please check the parts when opening the box, if there is something missed, please contact with the supplier or the manufacturer.

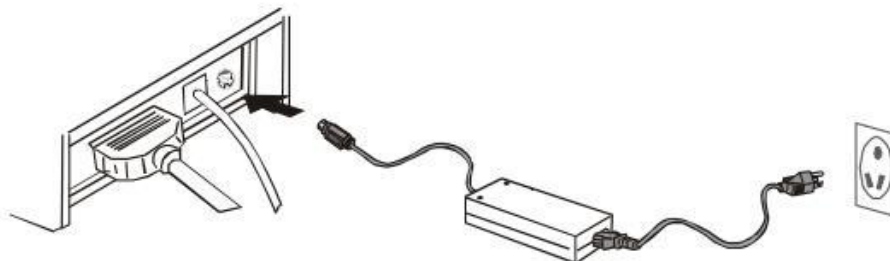




## 4.2 Printer Connection

- (1) To ensure the printer and PC is powered off and then insert the matched data connection lines to the interfaces (USB/Parallel/Serial) of the printer, the other ends are to the PC.
- (2) If the user fit out the electric opened cash drawer for the printer that could insert the RJ-11 connection line of it to the corresponding interface of the printer. (PS: The specification of cash drawer should be accorded with the driver requirement of printer).
- (3) Connect to the supplied power adapter.

Please only use the supplied power adapter. Such as the following picture:



### Notice:

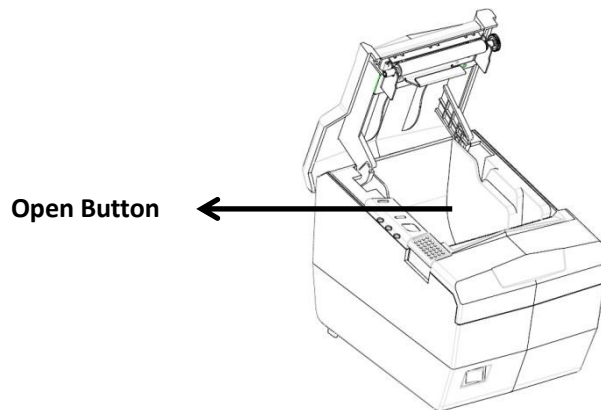
- (1) Firstly, insert the power supply plug DC24V of printer; then connect the AC220V power; lastly, turn on the switch. Please operate it by the instruction steps; otherwise, it would damage the printer.
- (2) Using unsuitable power adapter would cause the bad print result; even may cause the breakdown of printer.
- (3) Do not connect the telephone line to the interface of cash drawer; because it may result in the damage for printer and telephone.

- (4) Do not pull the power soft wire when unplugging. If the user does it by force, it may result in the breakdown of the printer and power adapter.

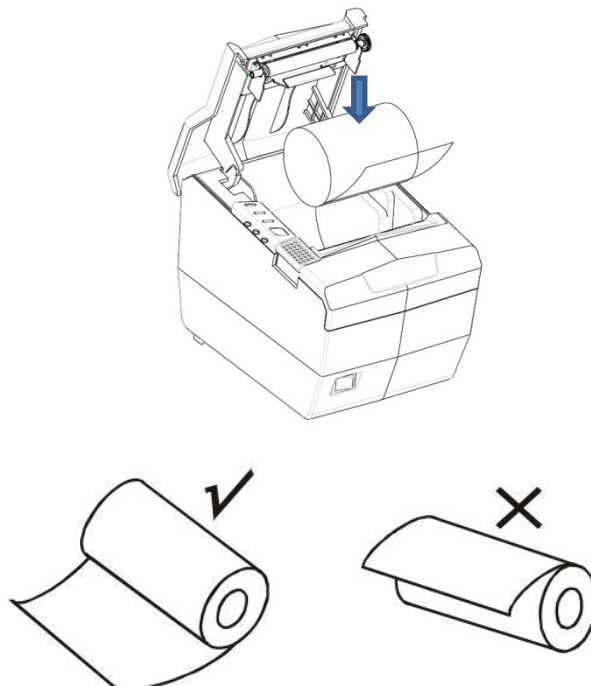
### 4.3 Load the Paper Roll

Model: 327 printers, with easy paper loading, uses 80mm width thermal paper. The loading instruction is listed as below:

- (1) Open the top cover of printer.

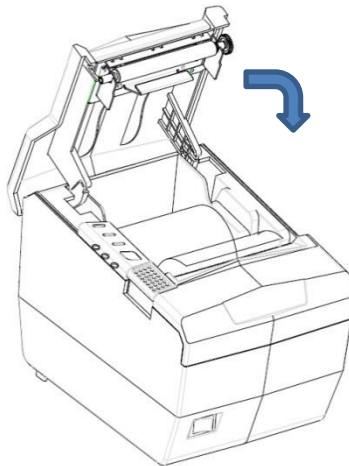


- (2) Load the thermal paper into printer as the following picture.

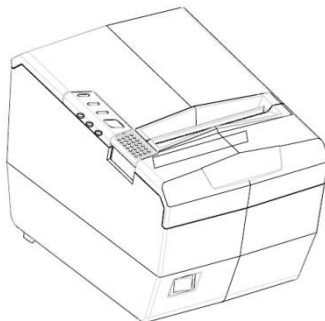


- (3) Pull a part of paper out and then close the top cover.

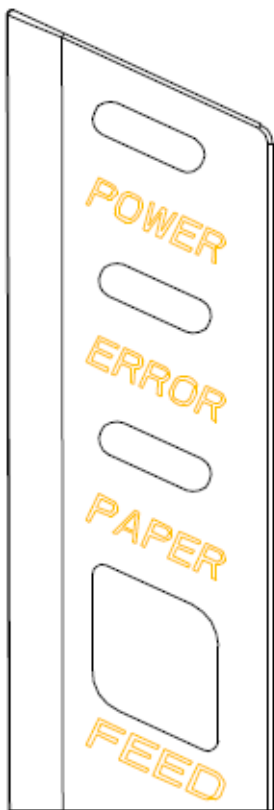




(4) Use the cutter of printer to tear off the extra paper



## **V. Power Switch, Keystroke and Indicator Light**



### **5.1 Power Switch**

Switch is for turning on/off the power supply of printer which is located on the left. When pressing “-”, the printer turns on and when pressing “O”, it turns off.

*Notice:* Do not turn on the switch unless the user connects the power supply.

### **5.2 Keystroke and Indicator Light**

Keystroke and indicator board is shown as below:

#### **FEED Key:**

In the standby status, the printer would be continuous feed when pressing the feed key. Of course, the key is inefficacy when the printer is working.

Press the feed key and switch on the power supply while the

key is still under pressing, then the user could do the self-checking of printer.

## **POWER Key (Green):**

Light appears continuously when connected to the power supply.

## **ERROR Key (Red):**

Light appears under following condition:

Paperless, paper jam, print head overheat, print head error or other situations.

**PAPER Key (Red):** Light appears when paperless.

## **5.3 Setting Printer Mode**

327 printer is initially setup with default value. However, the default printer mode can be reconfigured to satisfy customer's needs through the DIP switch, which is located at the bottom of the printer.

**The function of DIP switch setting as follows:**

| Switch | Function   | (on)                        | (off)                         |
|--------|--|-----------------------------|-------------------------------|
| 1      | <b>cutter</b>  | <b>No cutter</b>            | <b>With cutter</b>            |
| 2      | <b>Buzzing prompt</b>  | <b>Open buzzing prompt</b>  | <b>Close buzzing prompt</b>   |
| 3      | <b>Printing density</b>  | <b>High density</b>         | <b>Regular density</b>        |
| 4      | <b>24 bytes mode</b>   | <b>No Chinese Character</b> | <b>With Chinese Character</b> |
| 5      | <b>Character per line</b>  | <b>42</b>                   | <b>48</b>                     |
| 6      | <b>Select cash box</b>   | <b>Open cash box</b>        | <b>Close cash box</b>         |
| 7-8    | <b>Transmission rate (apply for serial interface) (refer to below information)</b> |                             |                               |
|        | <b>Transmission rate (bps)<br/>-bytes/s</b>  | <b>SW-7</b>                 | <b>SW-8</b>                   |
|        | <b>38400</b>   | <b>ON</b>                   | <b>ON</b>                     |
|        | <b>115200</b>  | <b>OFF</b>                  | <b>ON</b>                     |
|        | <b>9600</b>  | <b>ON</b>                   | <b>OFF</b>                    |
|        | <b>19200</b>   | <b>OFF</b>                  | <b>OFF</b>                    |

## **5.4 Self-checking**

Self-checking can test whether the printer is working well or not, if it can print The test list correctly, that means the printer is good enough (which is excluding the problem with the connected interface to PC); otherwise, it needs repair.

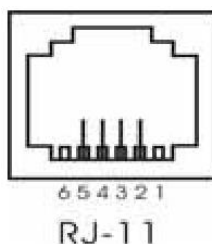
Self-checking could print software version number, print density, interface type,

English character and some Chinese characters by order.

**Self-checking procedure:** Make sure the printer is connected to the power, then press the feed key and switch on the power supply while the key is still under pressing. At the same time, the printer begins to self-checking. Please loosen the key within five seconds and the printer would print the self-testing list after it.

## VI. Cash Drawer Interface

Cash drawer interface adopt RJ-11 standard, 6 lines socket and it outputs DC 24V/1A. Insert the RJ-11 socket to the corresponding interface which could through the printer to open the cash drawer.



Pin function of cash drawer interface is listed as below:

| Pin Number | Signal                       | Flow Direction |
|------------|------------------------------|----------------|
| 1          | Empty                        | Empty          |
| 2          | Electrical grounding         | Output         |
| 3          | Empty                        | Empty          |
| 4          | Driver Signal of Cash Drawer | Output         |
| 5          | Empty                        | Empty          |
| 6          | Empty                        | Empty          |

## VII. Printer Maintenance

### 7.1 Print Head Maintenance

When the printer has following circumstances, the user should clean the print head:

- (1) Printing is not clear;
- (2) Some longitudinal columns on the printing page is vague;
- (3) Loud noise when feeding.

Procedure of maintaining the print head is listed below:

- (1) Turn off the power supply and open the top cover. Remove the paper if necessary.
- (2) Please wait for the cooling of print head if it just finishes printing.
- (3) Use the cotton cloth and dip it in the absolute ethyl alcohol to clean the surface of print head.
- (4) When the absolute ethyl alcohol is completely volatilized, please close the top cover and restart the printer.

### **7.2 Sensor Maintenance**

When the printer has following circumstance, the user should clean the paperless sensor:

- (1) During the printing, the printer occasionally stops print and the paperless alarm is beeping.
- (2) No paperless alarm.

Procedure of maintaining the sensor is listed below:

- (1) Turn off the power supply and open the top cover. Remove the paper if necessary.
- (2) Use the cotton cloth and dip it in the absolute ethyl alcohol to clean the surface of sensor.
- (3) When the absolute ethyl alcohol is completely volatilized, please close the top cover and restart the printer.

### **7.3 Print Roll Maintenance**

When the printer has following circumstance, the user should clean the print roll:

- (1) Printing is not clear;
- (2) Some longitudinal columns on the printing page is vague;
- (3) Loud noise when feeding.

Procedure of maintaining the print roll is listed below:

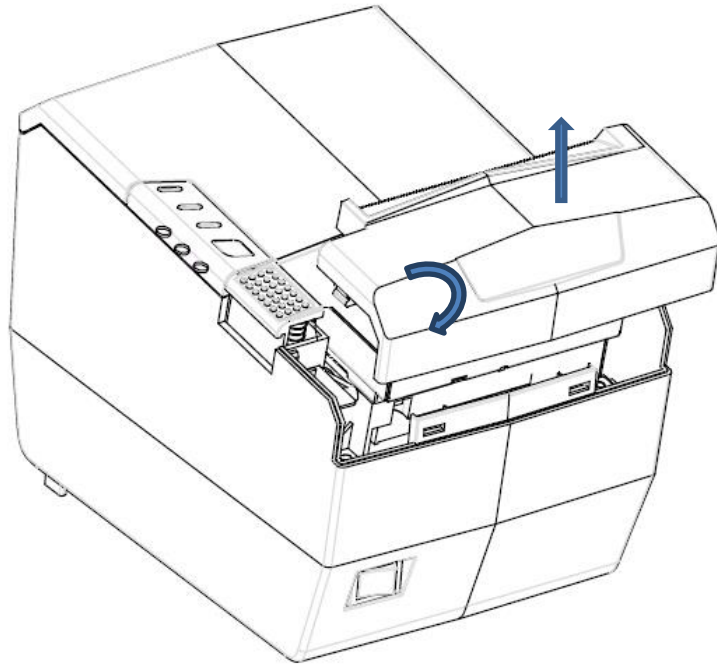
- (1) Turn off the power supply and open the top cover.
- (2) Use the cotton cloth and dip it in the absolute ethyl alcohol to clean the surface of print roll.
- (3) When the absolute ethyl alcohol is completely volatilized, please close the top cover.

***Notice:***

- (1) The power supply of printer should be turned off when the routine maintenance.
- (2) Do not use hand or metal to touch the surface of print head and not use tweezers to scratch the superficies of print head, print roll or sensor.
- (3) Do not use oil or acetone to do the maintenance.
- (4) When the absolute ethyl alcohol is completed volatilized, then turn on the power to print.

### VIII. Fix the Paper Jam

When paper jam happens, turn off the power supply and open the top cover, wait for the cooling of print head then remove the jammed paper. After that, reload the paper roll and close the top cover. Use the recommendatory paper or the one which has the same quality with specified width would reduce the risk of paper jam.



### IX. Fault treatment

When the printer appears faults, please fix them correspondingly referring to this section. If it still can't work, please contact the distributor or manufacturer.

## 9.1 When indicators light on the control board is out

Check whether the power wire inserts the printer, power adaptor or power socket correctly. Check whether the power switch is on or off.

## 9.2 The indicator light is on, while the printer can't work

Do the self-checking to check whether the printer can work normally. If not, please contact the distributor or technical support.

If the self-checking can work, please check the following contents:

- (1) Check the interfaces of printer and computer and also check whether the connected line between them is to their specification requirement.
- (2) The setting of data transmission between printer and computer may be different.

You know the printer's interface setting through the self-testing page. Please contact the agent or technical support if the printer cannot print.

## X. Printer driver

Two types of drive for 327 Series: one is installed directly under Windows9x/ME/ 2000 /XP/WIN7/WIN8, the other is to drive through Ethernet.

- (1) Install driver under Windows

Add printer in the Windows, and appoint the driver documents in the driver disk to Windows. It can print once you start print command in the program. In this way, Windows' printer driver turns characters to graphics dot-matrix for printing.

- (2) Install driver by Interface

In this way, no need for drive program. It can print just when it output character to port and the hard font inside printer realizes the character exchange printing. By port for driver, the printing type transforms page printing to line printing, which controls printing more conveniently.

If you use port driver, it need instruction set to control printing of the printer, while 327 series have already integrated ESC/POS instruction set inside the printer.